

The 4840 AUTO EQUALIZER™ is LCN's pneumatically powered MULTI-DOOR solution. This low-energy automatic operator provides easy access for people with disabilities, the elderly, or the frail. Designed primarily for manual opening applications that occasionally require automatic opening.

- ▶ Ideal for multi-door applications since cost per door leaf decrease significantly as the number of door leaves increases.
- ▶ Standard, plate mounted 4840 series closer shipped with EXTRA DUTY arm, metal cover and a wood and machine screw pack. See 4840 Series page 25-26 for options.
- ▶ Meets ADA requirements (power mode).
- ▶ Installation requires use of either DOOR LOOP-459 or TRANSFER HINGE- 460, see page 26 in this section for details.
- ▶ Non-sized cylinders for interior doors to 4'6" and exterior doors to 3'6".
- ▶ Non-Handed.
- ▶ Requires additional system components. See CONTROL BOX pages 28-30 and ACTUATORS & ACCESSORIES, pages 199-215.
- ▶ Standard or optional custom powder coated finish, end caps are black.
- ▶ Optional plated finish on cover, arm, and fasteners.

- ▶ **Multi-Door Solution**
- ▶ **Utilizes a 10,000,000 Cycle Heavy Duty Door Closer**
- ▶ **Quiet, Efficient & Reliable**
- ▶ **Requires Control Boxes with integral compressor or control box using auxiliary air supply.**
- ▶ **No Guard Rails/Safety Mats Required**

The 4840 Series is UL and cUL listed and meets the provisions of ANSI Standards A117.1,A156.19, and the Americans with Disabilities Act.

MOUNTING				FINISH		COVER		CYLINDER			*ARM FUNCTION						
TOP JAMB (PULL SIDE)	TOP JAMB (PUSH SIDE)	PARALLEL ARM	CONCEALED	POWDER COAT	PLATED	PLASTIC	METAL	NON-HANDED	NON-SIZED	ACCESSIBILITY*	POWER OPERATOR	HOLD-OPEN	STANDARD (SINGLE)	REGULAR (DOUBLE)	EXTRA DUTY	CUSH-N-STOP	SPRING CUSH
○	○	●	○	●	●	○	●	●	○	○	○	○	○	○	○	○	○

- AVAILABLE
- NOT AVAILABLE

Meets ADA requirements (power mode).
 * See individual series for maximum manual opening.

LCN 4840 SERIES

MOUNTING DETAILS

PARALLEL ARM (PUSH SIDE) MOUNTING

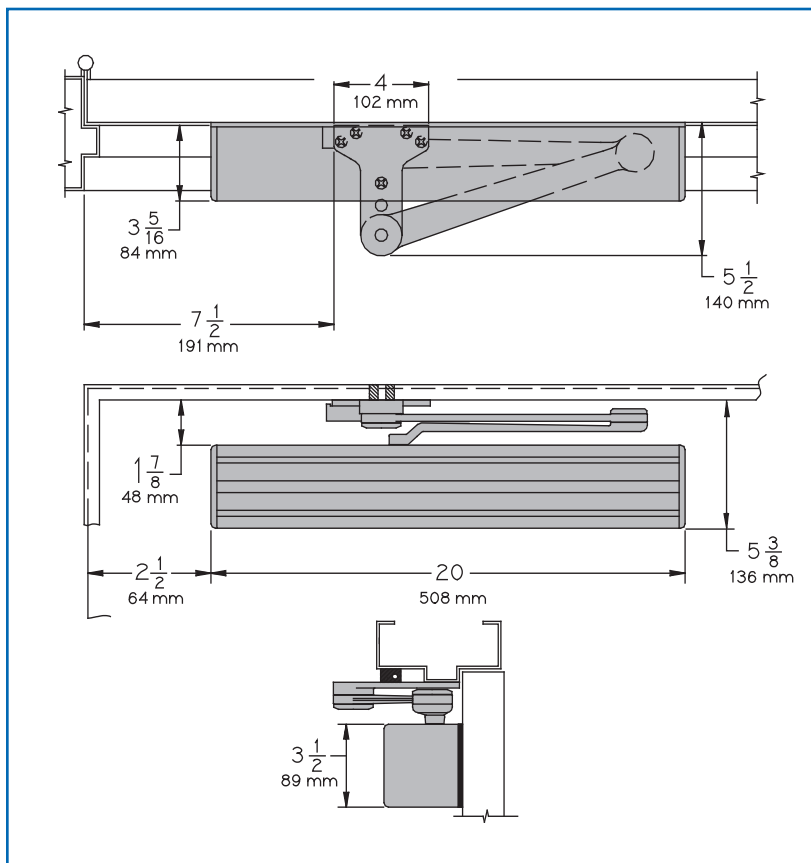
MAXIMUM OPENING

Maximum power opening is 90° with all arms.

Maximum manual opening is 105° with EDA or SPRING CUSH arms.

Maximum manual opening is 100° with CUSH-N-STOP arm.

NOTE: For CUSH-N-STOP or SPRING CUSH arm installations with maximum opening less than listed above, consult factory for Special Template.



Options

- CUSH or SPRING CUSH arms.

Special Templates

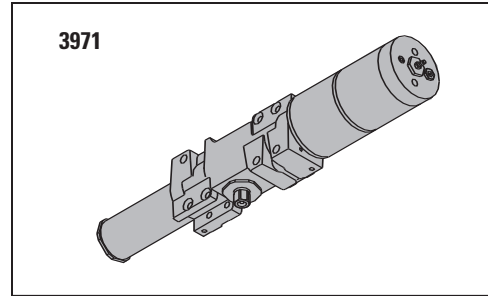
Customized installation templates or products may be available to solve unusual applications. Contact LCN for assistance.

- ▶ **Butt Hinges** should not exceed 5" (127 mm) in width.
- ▶ **Auxiliary Stop** is recommended when CUSH-N-STOP or SPRING CUSH arms are not used.
- ▶ **Clearance** for EDA or CUSH shoes is 5 1/2" (140 mm) from door face.
- ▶ **Top Rail** minimum 4 1/8" (105 mm). 6" minimum top rail for screw not to show in glass
- ▶ **Head Frame** (flush) requires PA SHOE ADAPTER, 4840-418.
- ▶ **Stop Width** minimum 1" (25 mm).
- ▶ **Blade Stop** clearance requires 1/2" (13 mm) BLADE STOP SPACER, 4840-61.
- ▶ **System Diagram** See "AUTOMATIC OPERATORS" section pages 8-9 for typical system wiring, and page 30 for electrical and pneumatic data for control boxes.

CYLINDERS

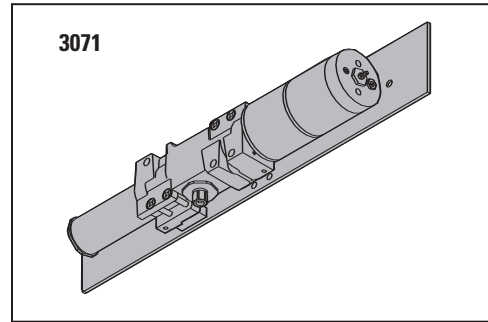
CYLINDER ONLY, 4841-3971

Standard, non-handed, cast iron cylinder.



CYLINDER ASSEMBLY, 4841-3071

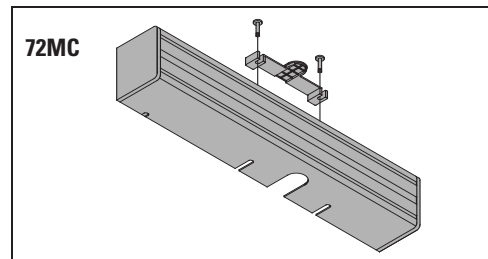
Standard, non-handed, cast iron cylinder and mounting plate.



COVERS

COVER, 4840-72MC

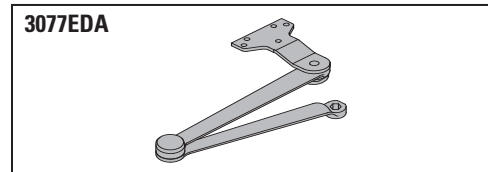
Standard, non-handed metal cover with black end caps.



ARMS

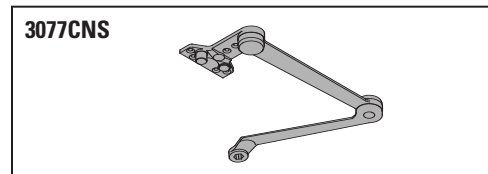
EXTRA DUTY ARM, 4840-3077EDA

Standard, non-handed parallel arm features forged solid steel main arm and forearm for potentially abusive installations.



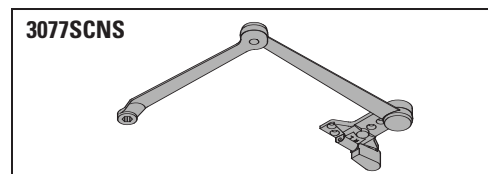
CUSH-N-STOP ARM, 4840-3077CNS

Optional, non-handed parallel arm features forged solid steel main arm and forearm with stop in soffit shoe.



SPRING CUSH ARM, 4840-3077SCNS

Optional, non-handed parallel arm for abusive applications features forged solid steel main arm and forearm with spring loaded stop in soffit shoe.

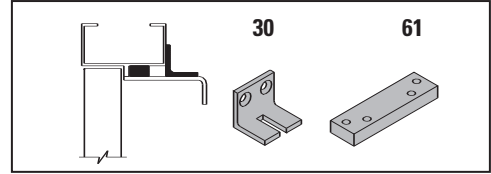


LCN 4840 SERIES

INSTALLATION ACCESSORIES

CUSH SHOE SUPPORT, 4840-30

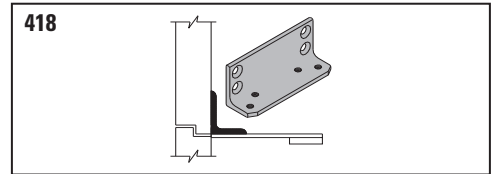
Provides anchorage for fifth screw used with EDA and CUSH arms, where reveal is less than 3 1/16" (78 mm).



BLADE STOP SPACER, 4840-61

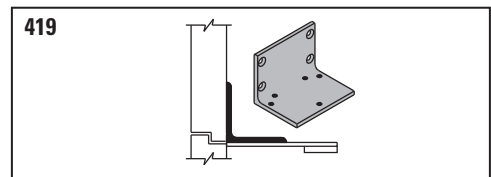
Required to lower parallel arm shoe to clear 1/2" (13 mm) blade stop.

PA SHOE ADAPTER, 4840-418 provides horizontal mounting surface for parallel arm shoe on single rabbeted or flush frame.



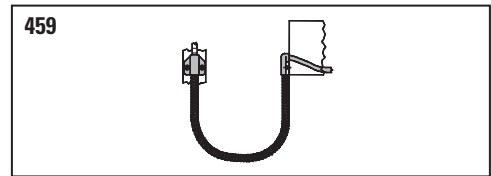
CUSH FLUSH PANEL ADAPTER, 4840-419

Provides horizontal mounting surface for parallel arm shoe on single rabbeted or flush frame.



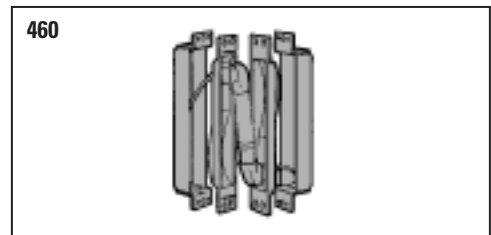
DOOR LOOP KIT, 4840-459

Surface mounted, flexible metal loop transfers pressurized air via pneumatic tubing from frame to closer end cap. Extra caps allow tubing to run on frame surface or concealed in the frame.



PNEUMATIC TRANSFER HINGE, 4840-460

Transfers pressurized air via pneumatic tubing from frame to door leaf for fully concealed installations. Preparation of a raceway is required from the hinge stile of the door to the top rail for concealment of the pneumatic tubing within the door leaf.



LCN 4840 SERIES

TABLE OF SIZES

Non-sized 4841 cylinder is adjustable from size 1 through size 5 and is shipped set to size 3. Closing power of 4841 closers may be increased 50%.

→ Indicates recommended range of door width for closer size.
Note: Minimum door width 24" (610 mm).

EXTERIOR (and VESTIBULE) DOOR WIDTH

24"	30"	36"	42"
610mm	762mm	914mm	1067 mm



4841
Minimum
Door Width

INTERIOR DOOR WIDTH

24"	34"	38"	48"	54"
610mm	864mm	965mm	1219mm	1372mm



4841
Minimum
Door Width

HOW-TO-ORDER 4840 SERIES CLOSERS

1. SPECIFY FINISH.

- Standard Powder Coat _____
Aluminum, Dark Bronze, Tan, Statuary,
Light Bronze, Black, Brass.

Closer will be shipped with:

- STANDARD CYLINDER,
- STANDARD METAL COVER,
- EXTRA DUTY ARM,
- WOOD and MACHINE SCREW PACK,
unless options listed below are selected.

CLOSER OPTIONS

FINISH

- Custom Powder Coat (RAL) _____
- Plated Finish, US _____

ARMS

- CUSH-N-STOP (CUSH)
- SPRING CUSH (SCUSH)

SCREW PACK

- TB*, Wood & Machine Screw (TBWMS)

*Specify door thickness if other than 1 3/4".

INSTALLATION ACCESSORIES

- Cush Shoe Support, 4840-31
- Blade Stop Spacer, 4840-61
- Cush Flush Panel Adapter, 4840-419
- Door Loop Kit, 4840-459
- Pneumatic Transfer Hinge, 4840-460

SPECIAL TEMPLATE

- ST-_____