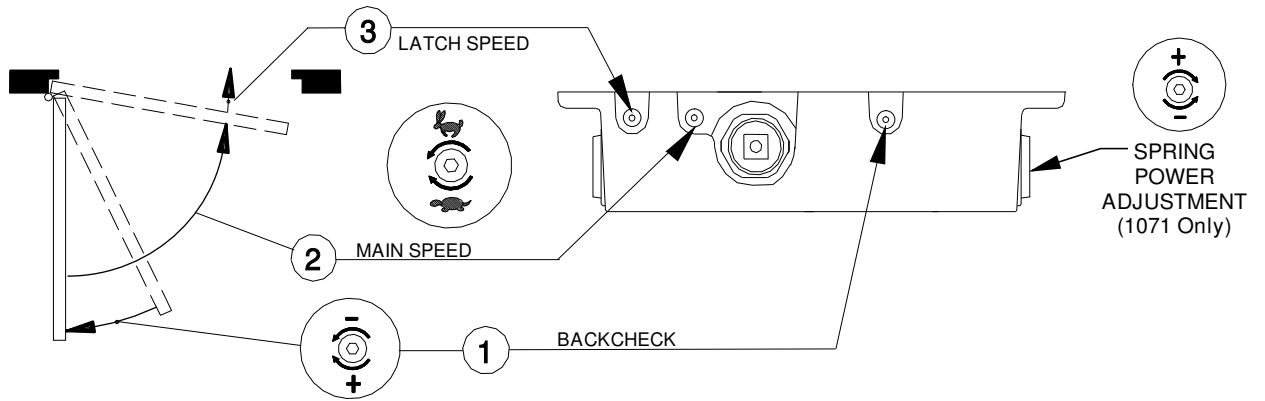
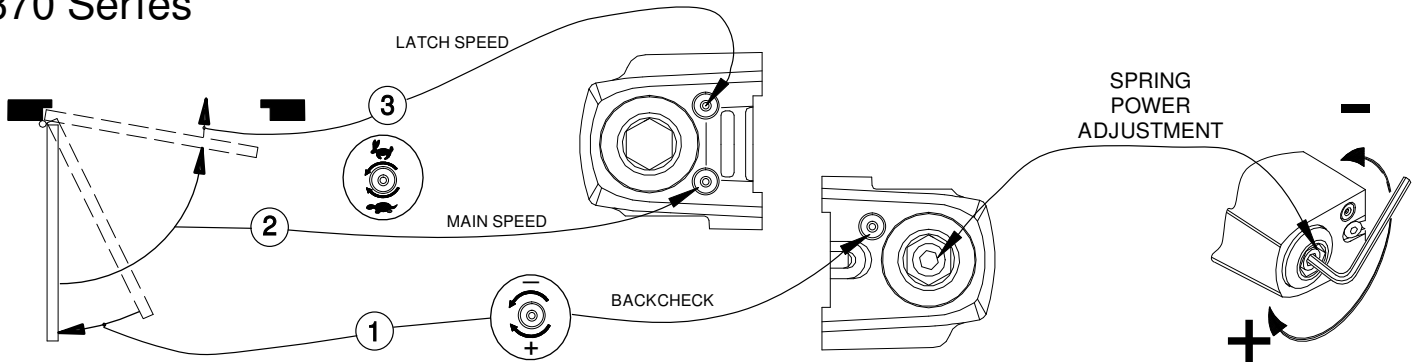


Regulation Instructions

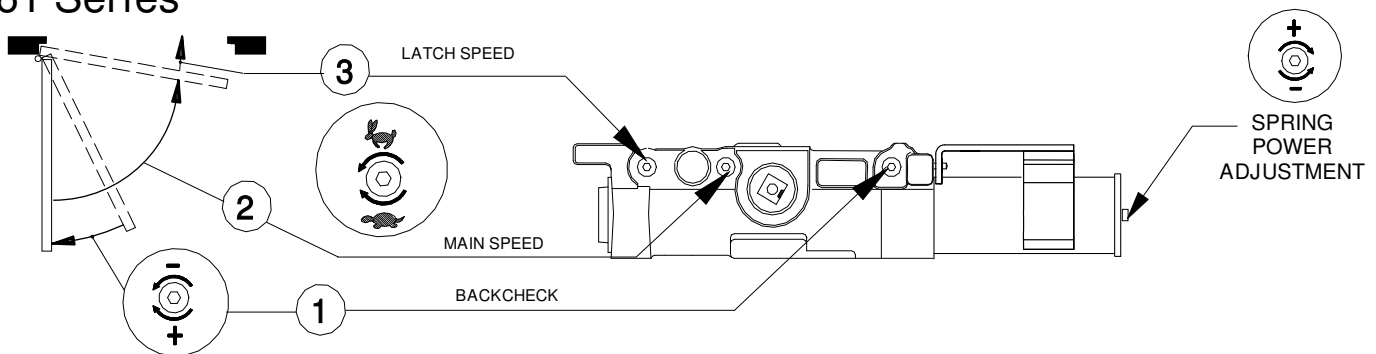
1070 Series



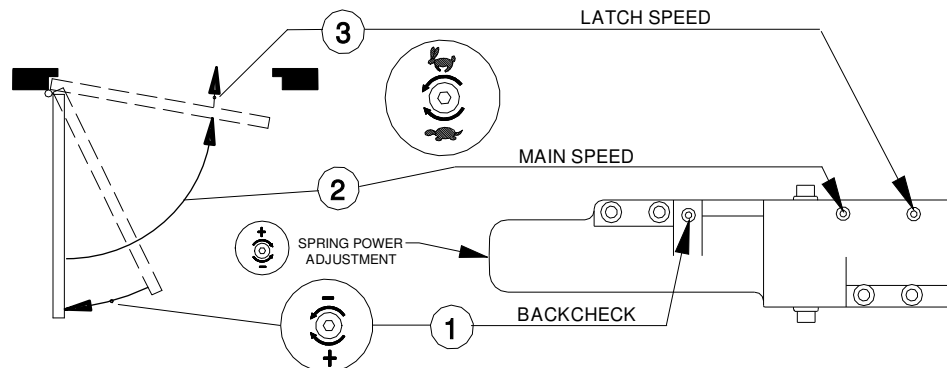
1370 Series



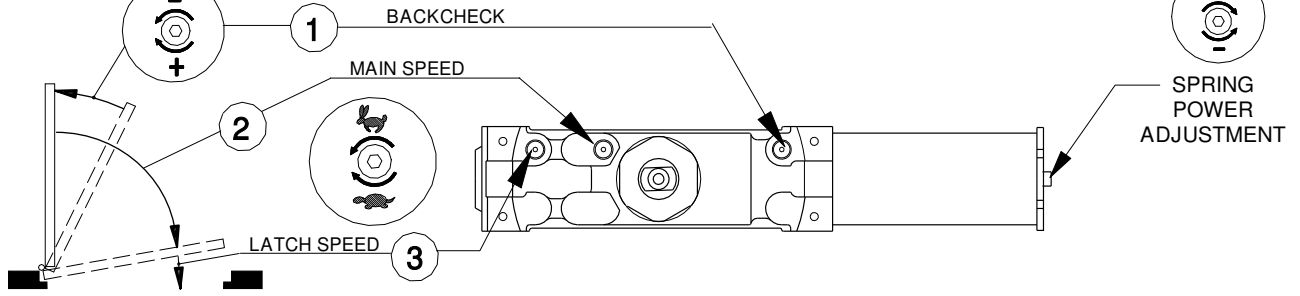
1460, 1461 Series



1520 Series (520 Europe only)

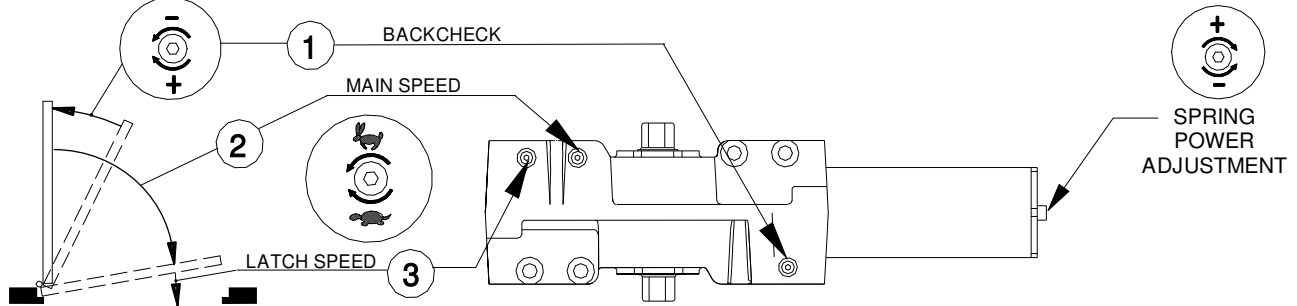


4010, 4020, 4110, 4210, 4310, 4410, 4510 Series



4000, 4040, 4041 Series

(No spring power adjustment for 4000)



! IMPORTANT !

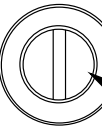
Closer has been regulated prior to shipment. Adjust regulation only if necessary.



NOTE: A "Normal" closing time from 90° open position is 5 to 7 seconds, evenly divided between main speed and latch speed.

! - DO NOT USE ABRUPT BACKCHECK - !
DON'T EXPECT DOOR CLOSER TO ACT AS A DOOR STOP

Optional
& Adjust



CAUTION

OPENING OF REGULATION VALVES TOO FAR MAY RESULT IN LEAKAGE OF CLOSER, PERSONAL INJURY OR PROPERTY DAMAGE. FOLLOW ALL INSTRUCTIONS CAREFULLY.

Power Adjustment Tools



5/32

Power Adjustment Tools

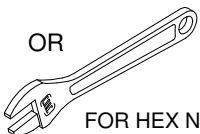


5/32

Power Adjustment Tools



OR



FOR HEX NUT

5/32

Power Adjustment Tools

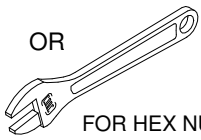


5 mm

Power Adjustment Tools



OR



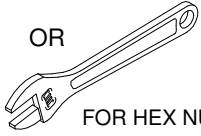
FOR HEX NUT

5/32

Power Adjustment Tools



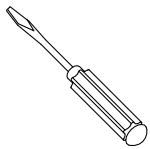
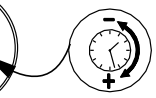
OR



FOR HEX NUT

5/32

Delay Action Screw ment Tools

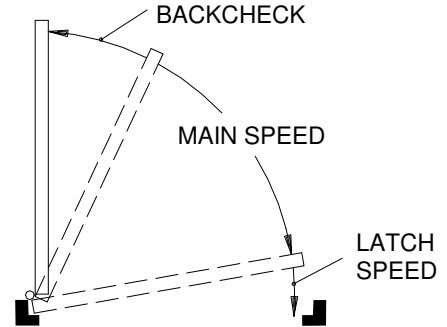
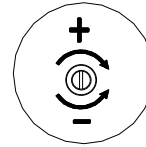
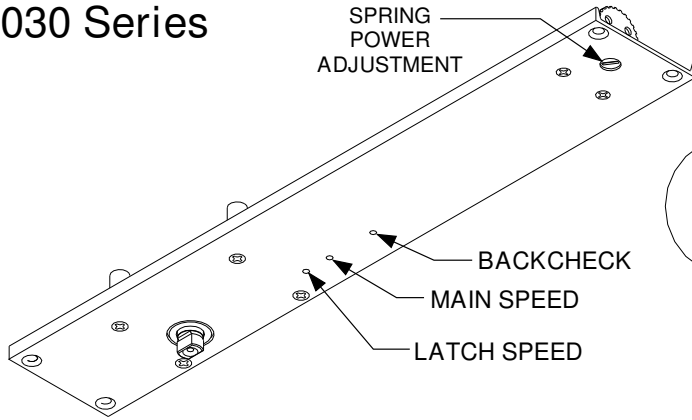




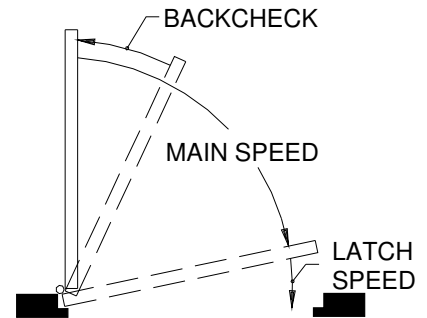
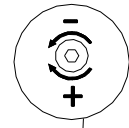
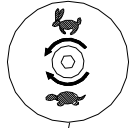
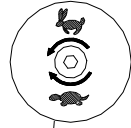
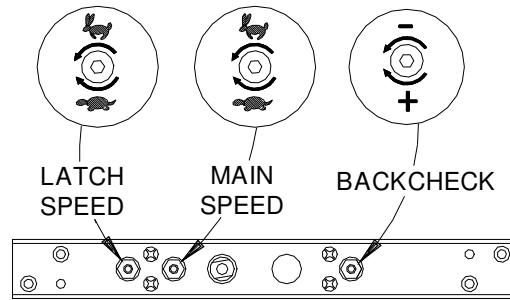
1-800-526-2400

Regulation Instructions

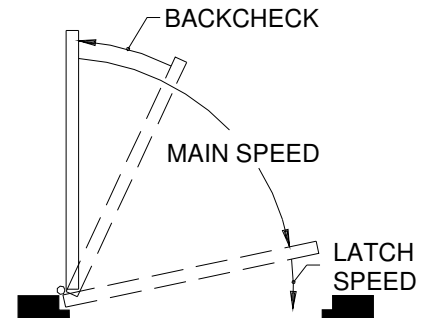
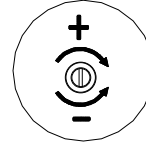
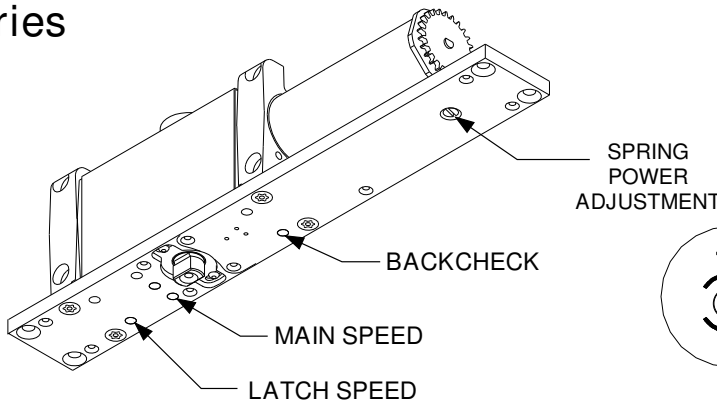
2030, 5030 Series



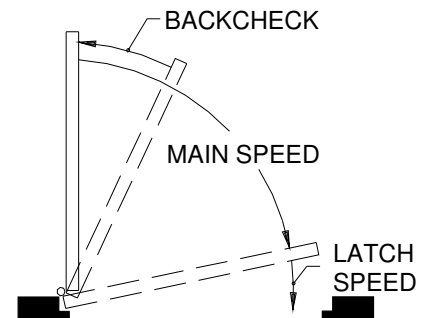
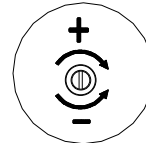
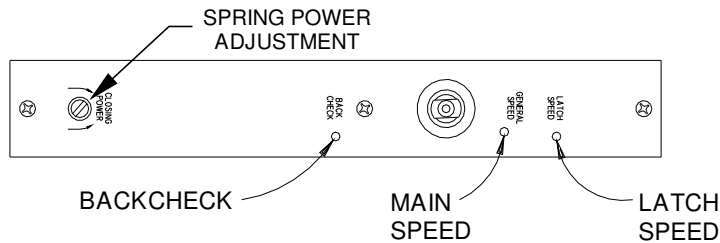
330,3030, 3130 Series



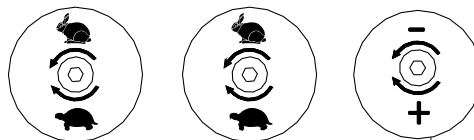
2210 Series



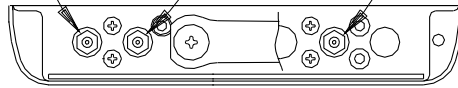
2010, 5010 Series



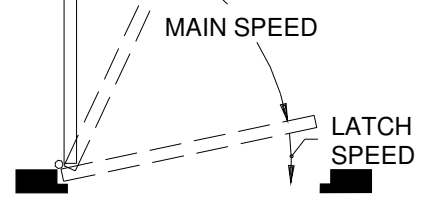
4030, 4130 Series



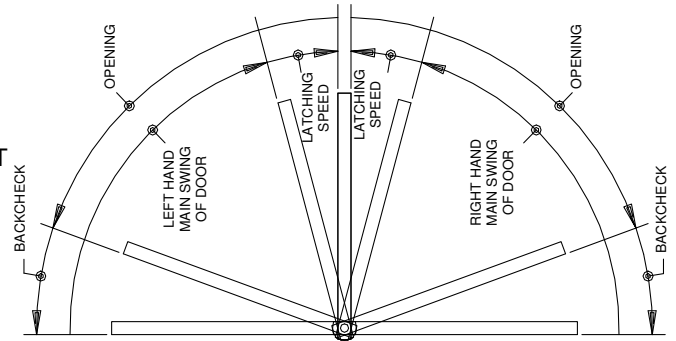
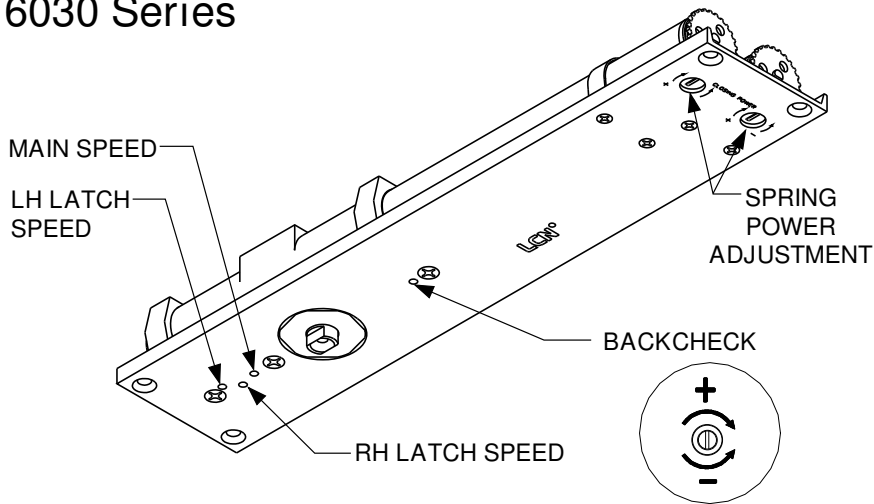
LATCH SPEED MAIN SPEED BACKCHECK



MAIN SPEED



6030 Series



! IMPORTANT !

Closer has been regulated prior to shipment. Adjust regulation only if necessary.



NOTE: A "Normal" closing time from 90° open position is 5 to 7 seconds, evenly divided between main speed and latch speed.

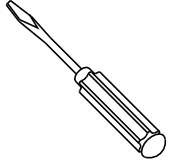
! - DO NOT USE ABRUPT BACKCHECK - !
DON'T EXPECT DOOR CLOSER TO ACT AS A DOOR STOP



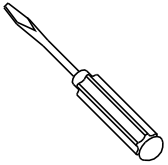
⚠ CAUTION

OPENING OF REGULATION VALVES TOO FAR MAY RESULT IN LEAKAGE OF CLOSER, PERSONAL INJURY OR PROPERTY DAMAGE. FOLLOW ALL INSTRUCTIONS CAREFULLY.

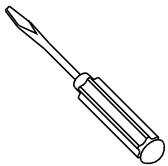
Power Adjustment Tools



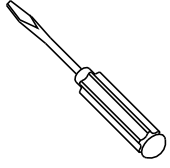
Power Adjustment Tools



Power Adjustment Tools



Power Adjustment Tools



Manual Delay Action Screw
Adjustment Tools

